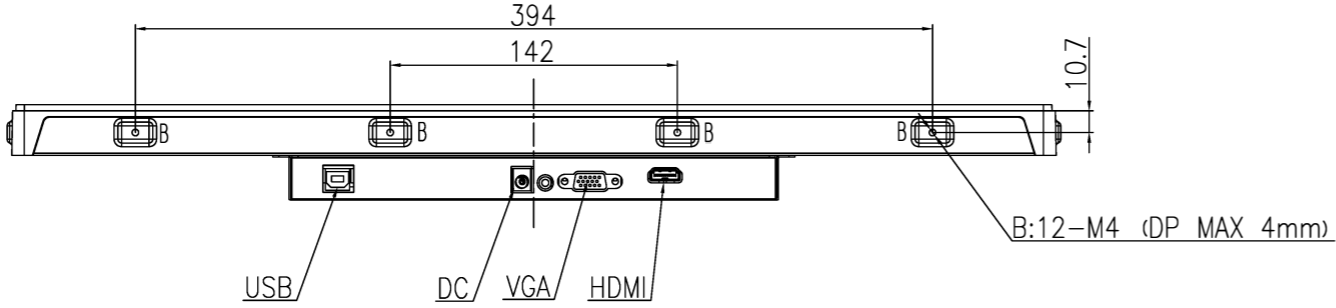


A:20-M4 NUT(DP MAX 4mm)



odesk

DIMENSIONS ARE IN MILLIMETERS

Tolerance: ±1mm	DATE: 2019.01.14
SHEET 1 OF 1	REV:1.0