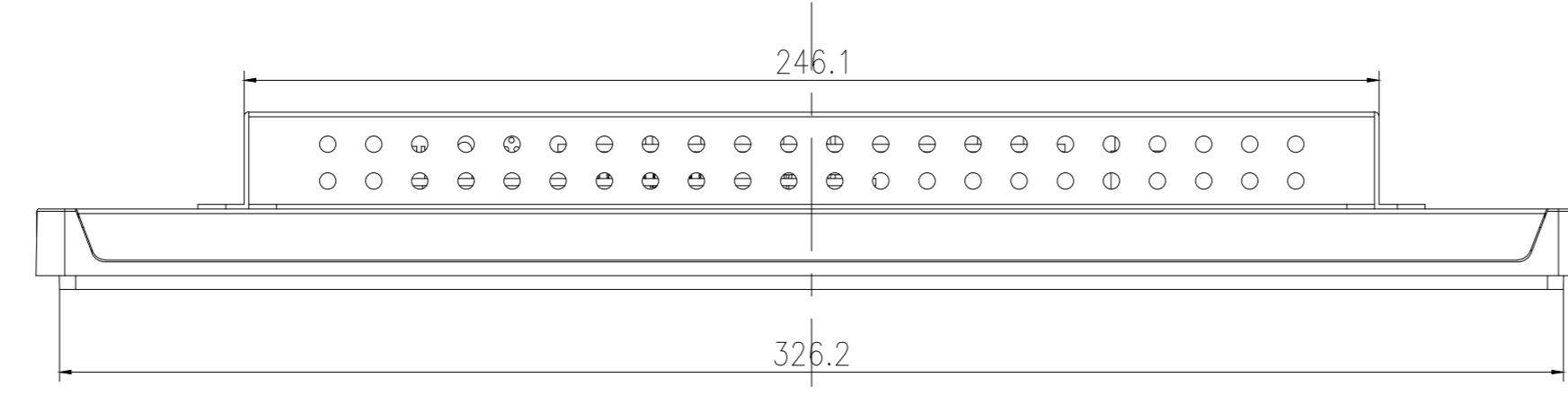
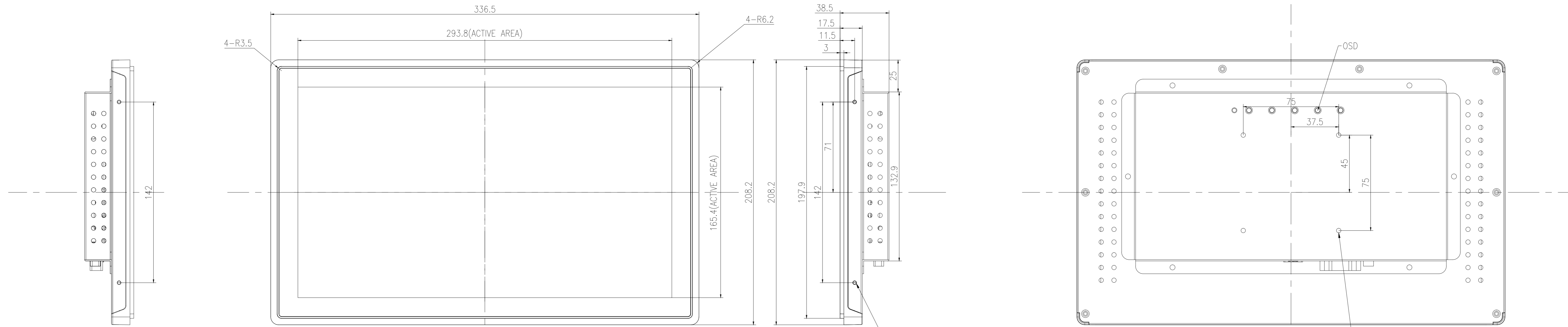


TITLE: H1312P-UH



Top View

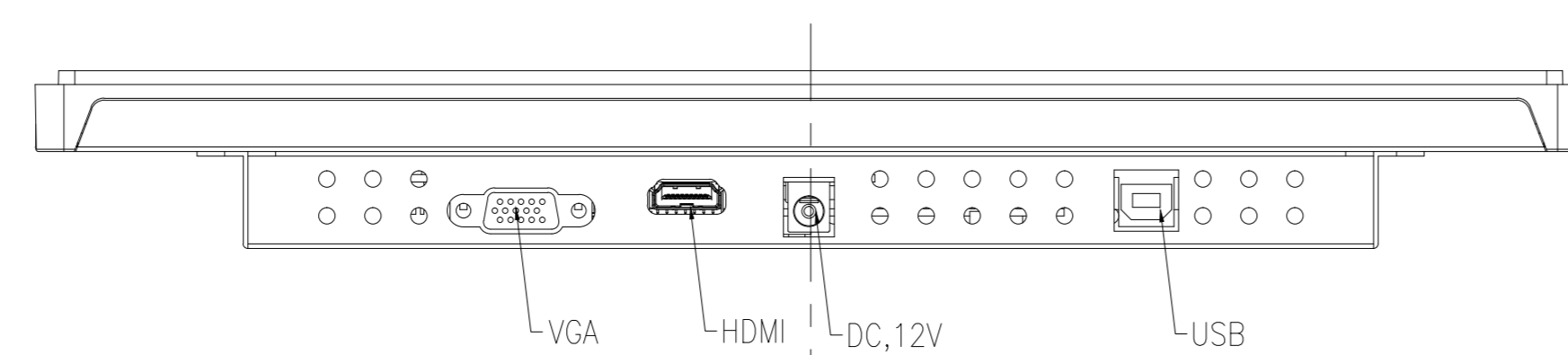


Side View

Front view

Side View

Back View



Bottom View

VESA:M3 THREAD
MAX:SCREW DEPTH=4mm
X4

VESA:M4 THREAD
MAX:SCREW DEPTH=5mm
X4

DIMENSIONS ARE IN MILLIMETERS

Tolerance: ±1.0mm	DATE: 2021.03.03
SHEET 1 OF 1	REV: V0.1