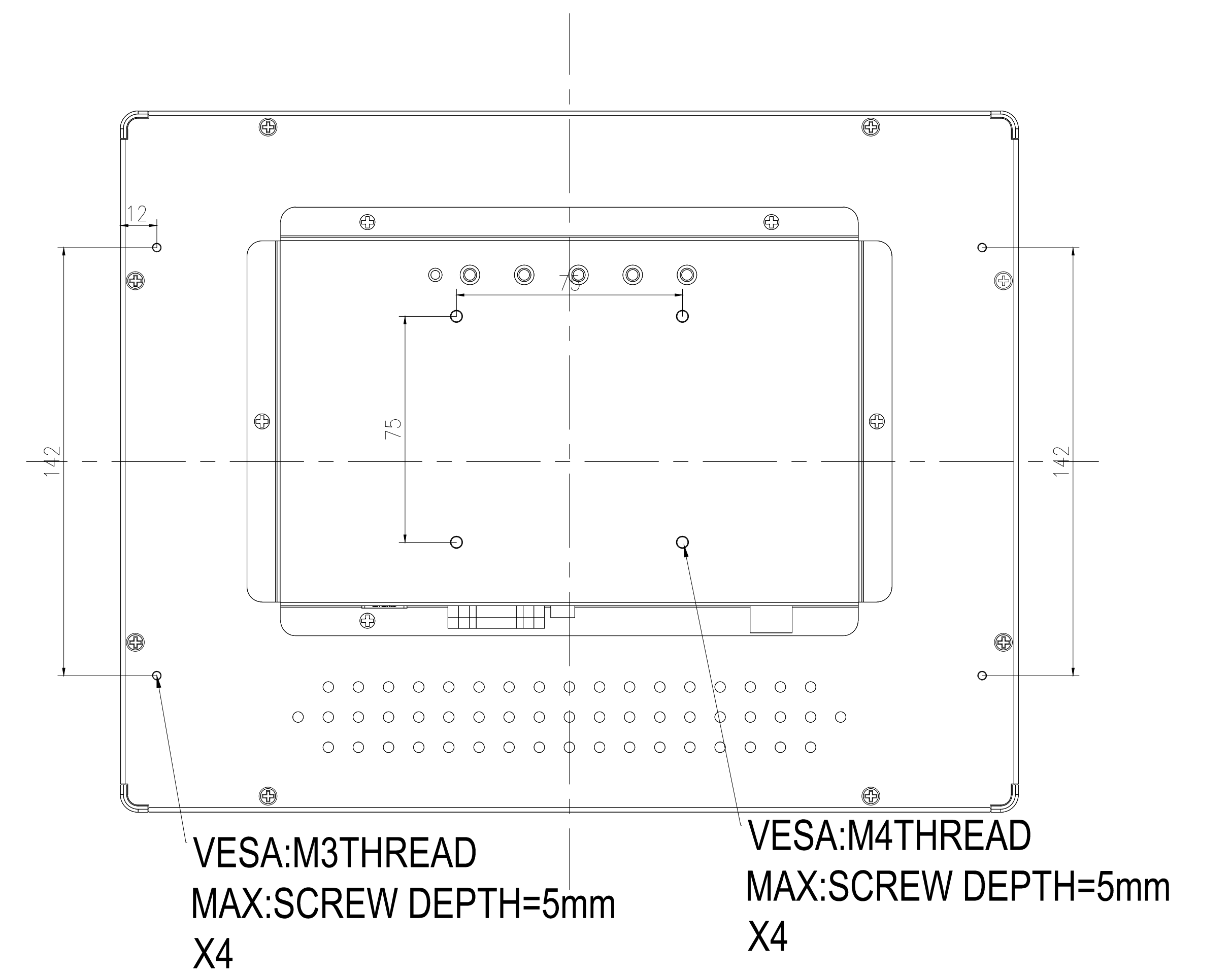
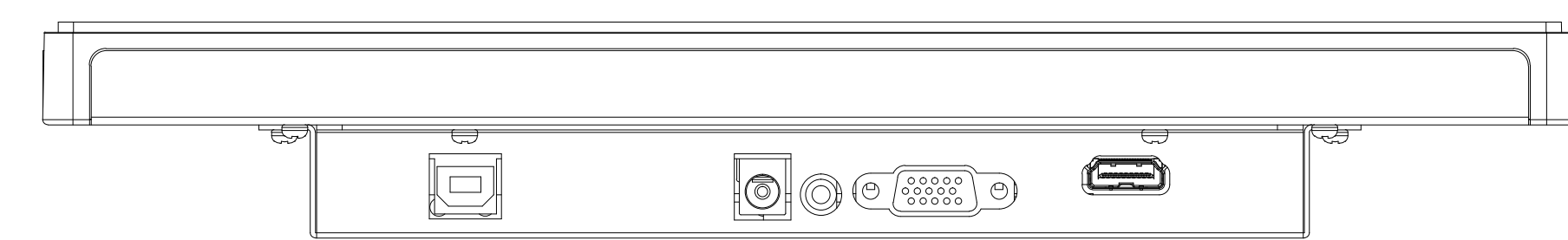
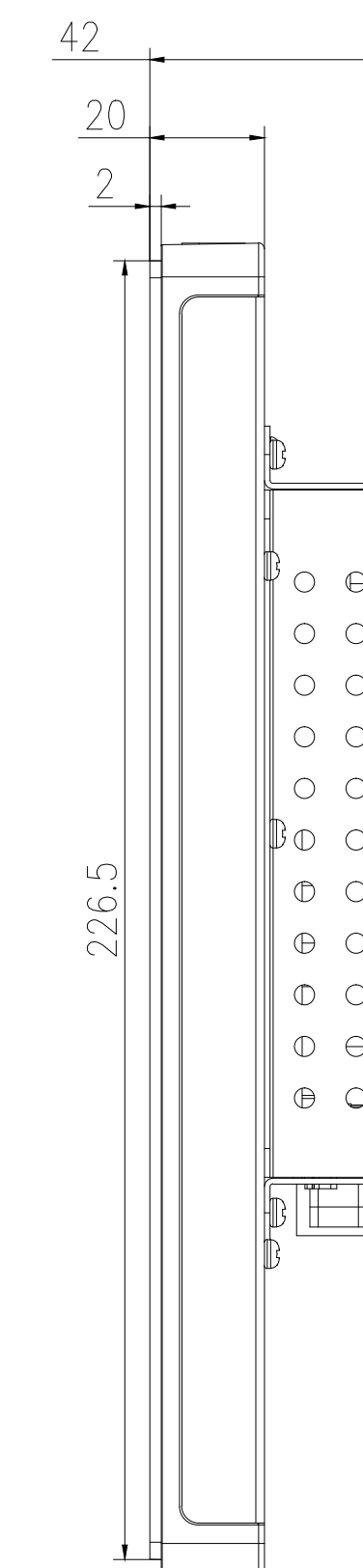
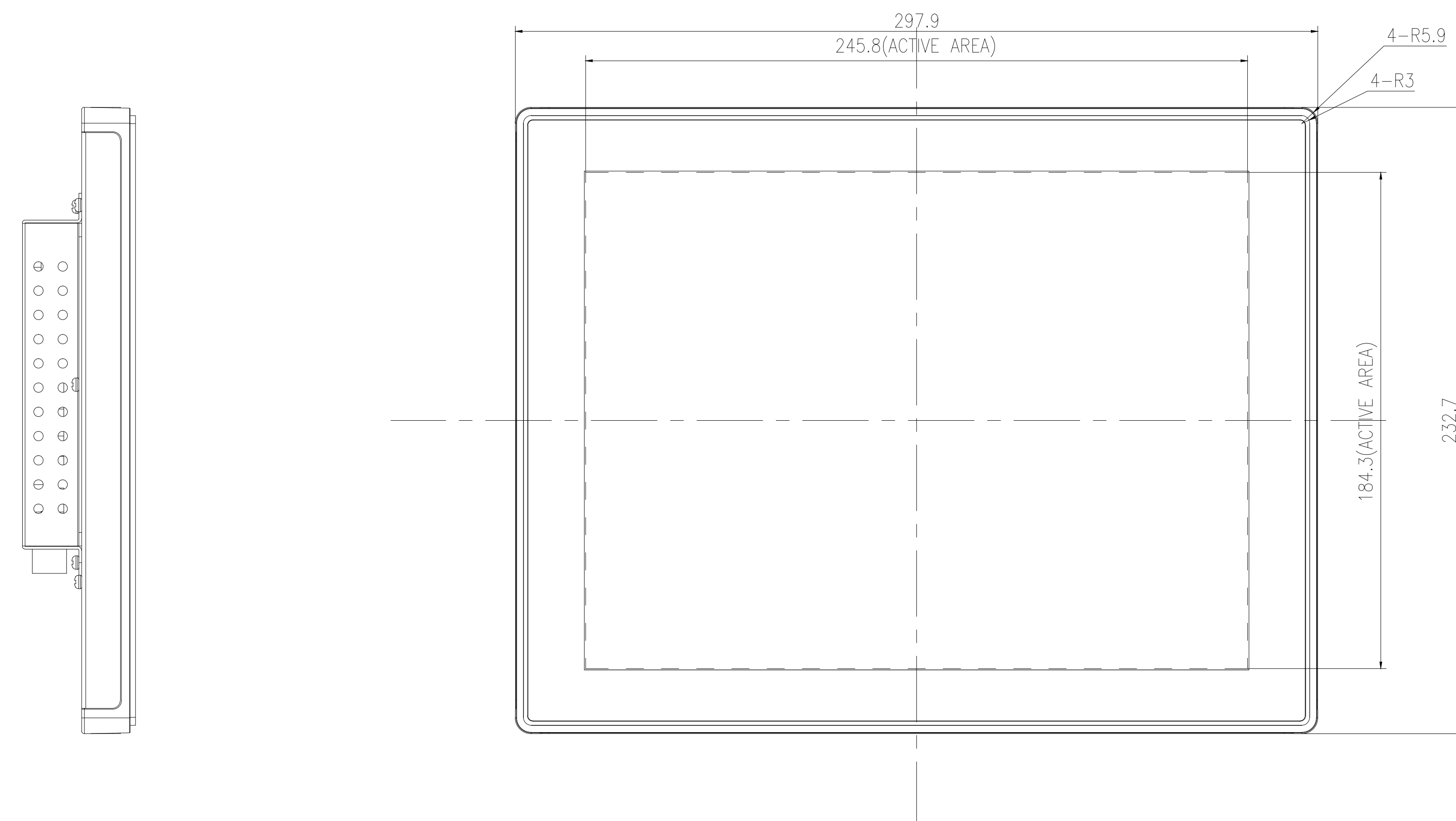
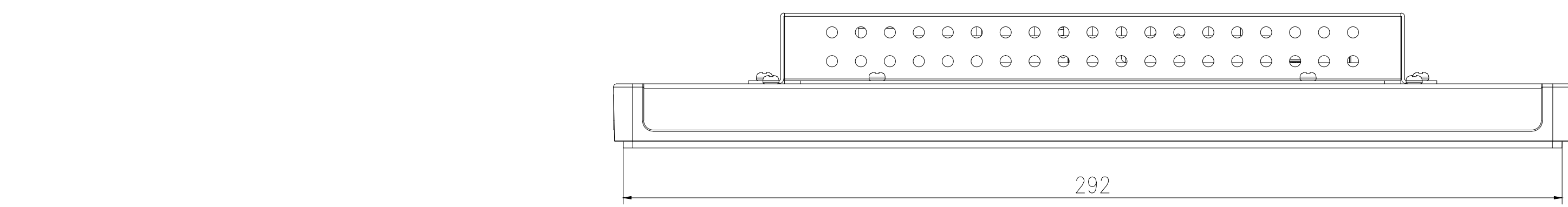


TITLE: H1212P-UH



DIMENSIONS ARE IN MILLIMETERS

Tolerance: $\pm 1.0\text{mm}$	DATE: 2022.05.11
SHEET 1 OF 1	REV: V0.1