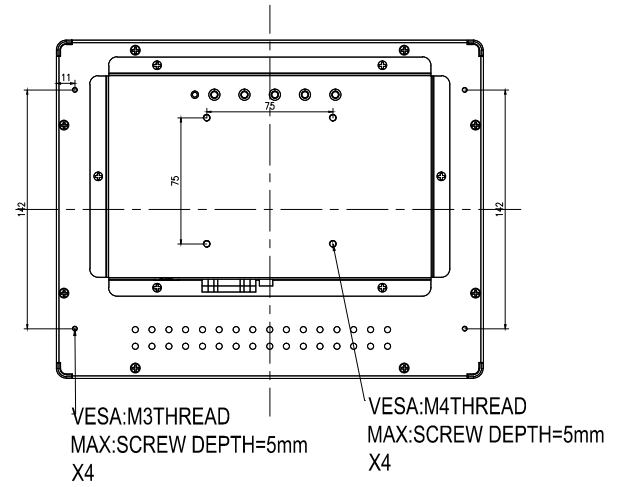
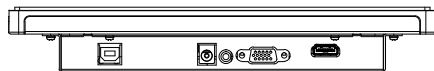
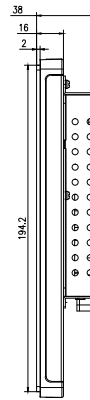
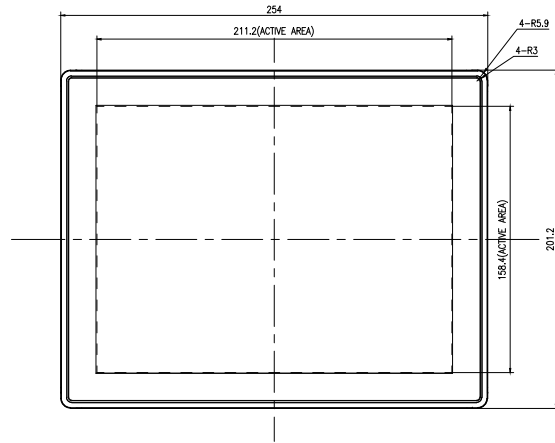
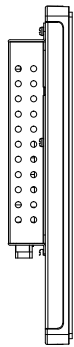
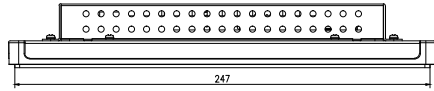


TITLE: H1012P-UH



DIMENSIONS ARE IN MILLIMETERS

Tolerance: ±1.0mm	DATE: 2022.05.11
SHEET 1 OF 1	REV: V0.1