

13" P-cap Touch Monitor

Model **H1312P-UH**

Touch Technology **P-cap**

Version **V 1.0**





Open-frame Touch Monitor

Horsent designs H1312P-UH open-frame multi-touch monitor for high traffic vertical applications, such as finance, gaming, industry, self-service terminal, etc.

The H1312P-UH applies high performance PCAP touch technology, offers excellent 10-point touch and tablet-like user experience.

The durable, light weighted, display module delivers image with high resolution and clarity, yet still low power consumption.

The H1312P-UH features a special designed mounted-molded front bezel, enables perfect matched mounting to your kiosk with great dust&water resistance.



Features

- 10-point touch
- Slim bezel
- Firm sealing
- Accurate touch
- Compact design
- Easy to install
- Flush mounted



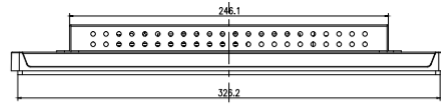
Applications

- ATM
- Tickets machine
- Vending machine
- Information terminal
- Gaming machine

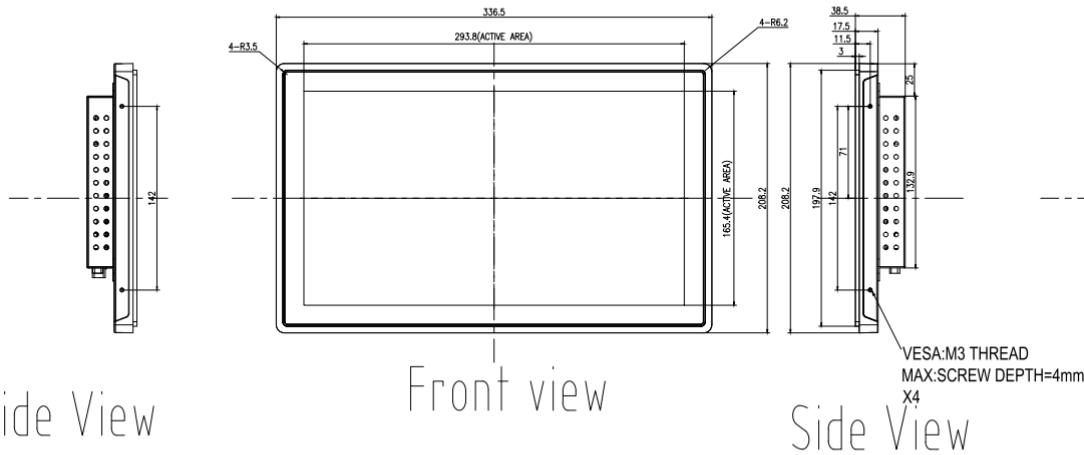
Product Name		13 inch LCD Touch Monitor		
Product Model		H1312P-UH		
LCD panel Technical Parameter	Size	13.3inch		
	Aspect Ratio	16 : 9		
	Backlight Type	LED Backlight		
	Pixel Pitch	0.1529mm x 0.1529mm		
	Active Area	293.76mm *165.24mmmm		
	Best Resolution	1920 × 1080 @ 60Hz		
	Response Time	25ms		
	Color	16.7 million		
	Brightness	LCD Panel: 300 cd/m ²		
	Contrast Ratio	800:1 (standard Value)		
	Viewing Angle (CR > 10)	Horizontal: 170° (85°/85°) Vertical: 170° (85°/85°)		
	Video Input Format	RGB Analog Signal/ Digital Signal		
	Video Input Interface	VGA / HDMI		
	Input Frequency	Horizontal: 30~82 Hz Vertical: 60~75 Hz		
Power Consumption	≤6W			
Touch Screen Technical Parameter	Touch Screen Type	Capacitive Touch Screen		
	Gover Glass	2.4mm		
	Transparency	87%		
	Hardness	7H		
	Interface	USB2.0		
	Touch Point	10		
	Response Time	≤15ms		
	Touch Method	Finger / Capacitive Pen		
	Touch Lifespan	≥50,000,000		
	Linearity	< 2%		
	Single-point OS	Windows XP , Linux		
	Multi-point OS	Windows7/8/10 , Android		
	Touch Monitor Technical Parameter	Boundary Dimension	326.0mm × 210.0mm × 36mm	
		OSD Panel	Optional Accessory : Power switch、 Menu、 Up、 Auto、 Down	
Power Supply		Input : DC 12V±5%		
Power Consumption		Max : 12w		
Installation		Side Mounting Bracket , VESA 75mm		
Accessory (Optional)		Signal Line	VGA , HDMI , 1.5m	
		USB Wire	A male to B male , 1.8m	
		Adaptor	WT1203000 , 12V/3.0A , 115mmx47mmx31mm , Lenqth 1.0m , ϕ 2.5 , Black	
		Power Line	CCC Power Line, 1.5m , Black	
Temperature		Operating: 0°C-40°C ; Storage: -20°C-60°C		
Humidity		Operating: 20%-80%; Storage: 10%-90%		
Operation Altitude		< 3000m		
Warranty		1 year		



Product drawing



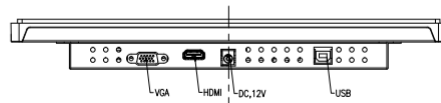
Top View



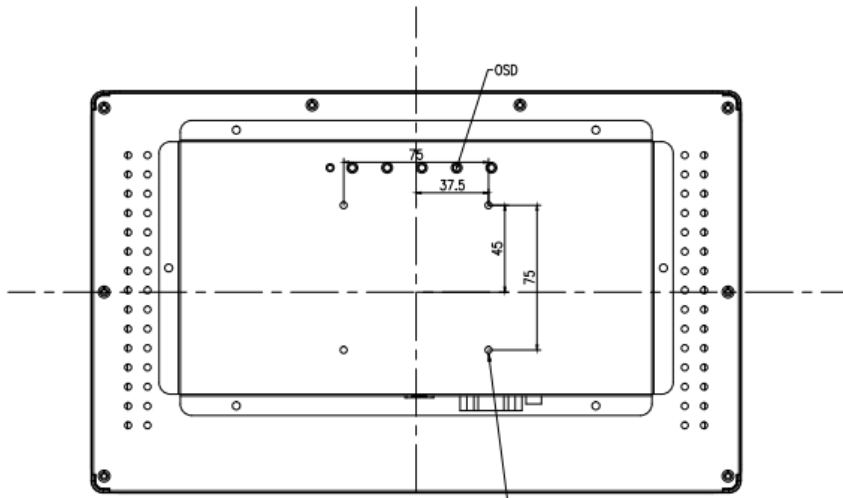
Side View

Front view

Side View



Bottom View



)
TH=4mm

VESA:M4 THREAD
MAX:SCREW DEPTH=5mm
X4

Back View