

27" P-cap Touch Screen Monitor

Interact with Ideas



Features

- > Designed by Horsent, thin body for generous smart display
- > Open-frame, Special designed front slim bezel
- > Capacitive 10 points sensitive touchscreen technology
- > Vivid FHD LED Backlight with 16.7 million color
- > Durable and reliable
- > Cost-competitive
- > Standard Brightness: 300 nit
- > Supported for Windows 11

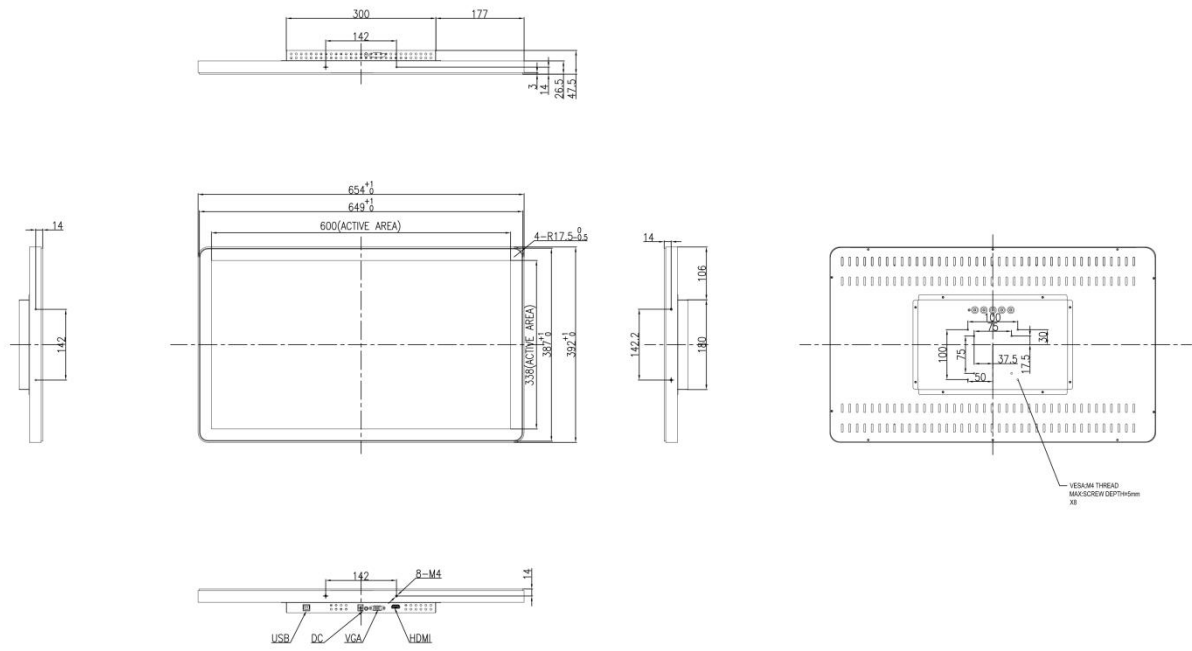
Applications

- > Interactive Ads
- > Commercial & Retail
- > Presentation
- > Self-service

Specifications

Product Name		27 inch P-cap Touch Screen Monitor	
Product Model		H2712PW-UH	
LCD Panel	Size	27inch	
	Aspect Ratio	16:9	
	Backlight	LED	
	Pixel Pitch	0.3114mm x 0.3114mm	
	Active Area	Horizontal: 597.888mm Vertical: 336.312mm	
	Best Resolution	1920 x 1080 @ 60Hz	
	Response Time	14ms	
	Colors	16.7 million	
	Brightness	300nit	
	Contrast Ratio	1000:1 (Standard Value)	
	Viewing Angle (CR > 10)	Horizontal: 178° (89°/89°) Vertical: 178° (89°/89°)	
	Video Input Format	RGB Analog Signal/ Digital Signal	
	Video Input Interface	VGA/HDMI/DVI	
	Input Frequency	Horizontal: 30~82Hz Vertical:50~75Hz	
Power Consumption	≤24W		
Touch Screen	Touch Screen Type	Capacitive Touch Screen	
	Cover Glass	Chemical Strengthen 3mm	
	Transparency	87%	
	Hardness	7H	
	Interface	USB2.0	
	Touch Point	10	
	Response Time	≤15 ms	
	Touch Method	Finger / Capacitive Pen	
	Touch Lifespan	≥50,000,000 times	
	Single-point OS	Windows 7,8,10, Linux	
	Multi-point OS	Windows 10,11, Android 7 and later	
Overview	Dimension	654mm x 352mm x 47.5mm	
	OSD Panel	Power Switch, Menu, Up, Auto, Down	
	Power Supply	Input: DC 12V ± 5%	
	Power Consumption	Max: 30W, Sleep: 3W, Off: 2W	
	Installation	Rear Mount(Side and VESA Mount 75mm x 100mm)	
	Accessory	Power Line	1.5m, CCC / EU / US / UK standard, Black(Optional)
		Signal Line	VGA, HDMI, 1.5m/1.8m, D-SUB 15Pin, male to male(Optional)
		USB Wire	A male to B male, 1.8m
		External Adapter: WT1203000, 12V/5.0A, 115mm x 47mm x 31mm Length: 1.0m, φ 2.5 , Black	
	Temperature	Operating: 0°C-40°C; Storage: -20°C-60°C	
	Humidity	Operating: 20%-80%; Storage: 10%-90%	
	Operation Altitude	< 3000m	
	MTBF	50,000 hours demonstrated	
	Net Weight	10.5kg	
Agency Approvals	CCC, FCC, CE, RoHS		
Warranty	1 Year		

H2712P-UH V1



DIMENSIONS ARE IN MILLIMETERS



Tolerance: $\pm 1.0\text{mm}$

DATE: 2020.9.3

SHEET 1 OF 1

REV:V1