

15" P-cap Touch Monitor

Model **H1512P-UH**

Touch Technology **P-cap**

Version **V 1.0**





Open-frame Touch Monitor

Horsent designs H1512P-UH open- frame multi-touch monitor for high traffic vertical applications, such as finance, gaming, industry, self-service terminal, etc.

The H1512P-UH applies high performance PCAP touch technology, offers excellent 10-point touch and tablet-like user experience.

The durable, light weighted, display module delivers image with high resolution and clarity, but still low power consumption.

The H1512P-UH features a special designed mounted-molded front bezel, enables perfect matched mounting to your kiosk with great dust&water resistance.



Features

- 10-point touch
- Slim bezel
- Firmly sealed
- Accurate touch
- Compact design
- Easy to install
- Flush mounted



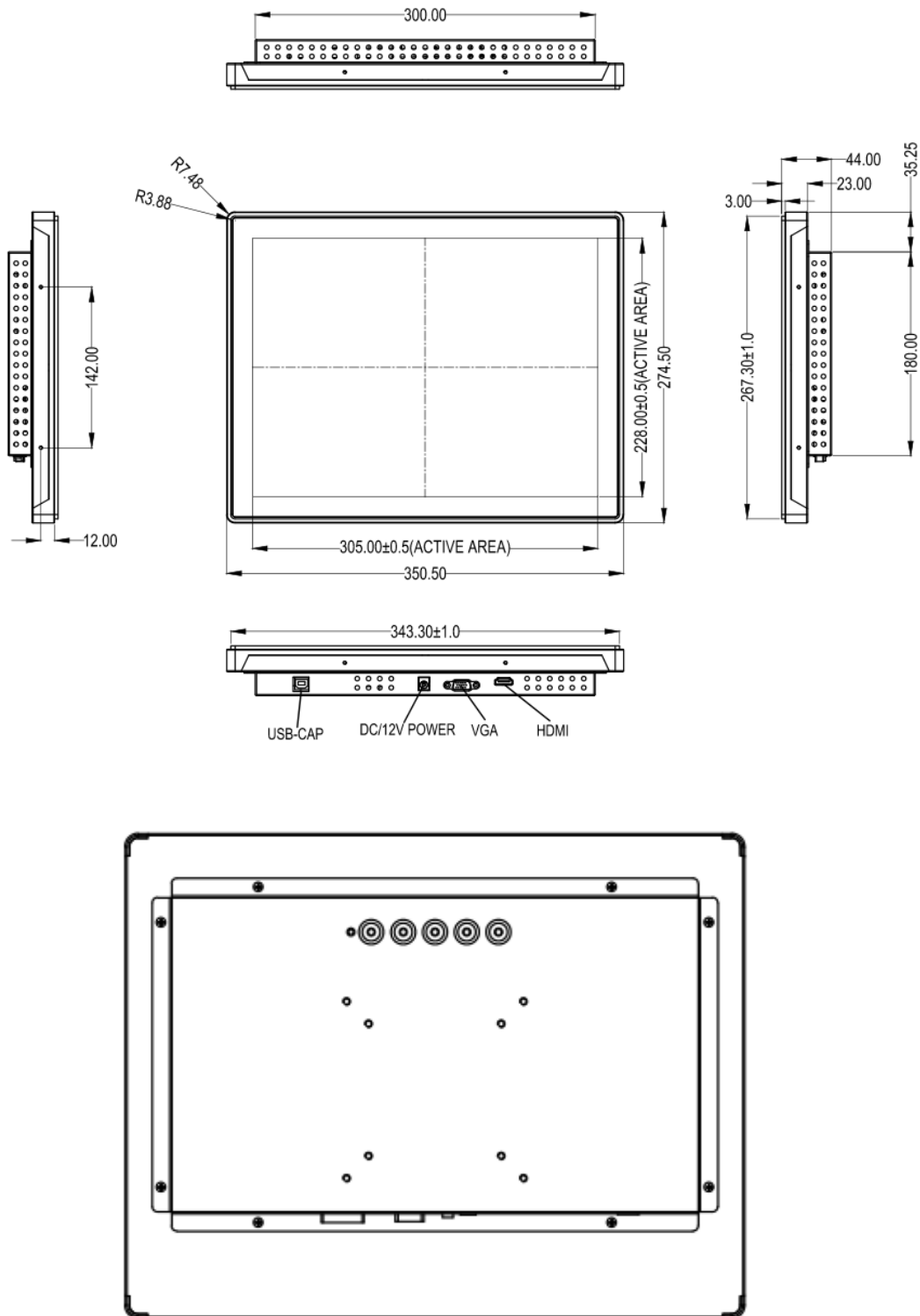
Applications

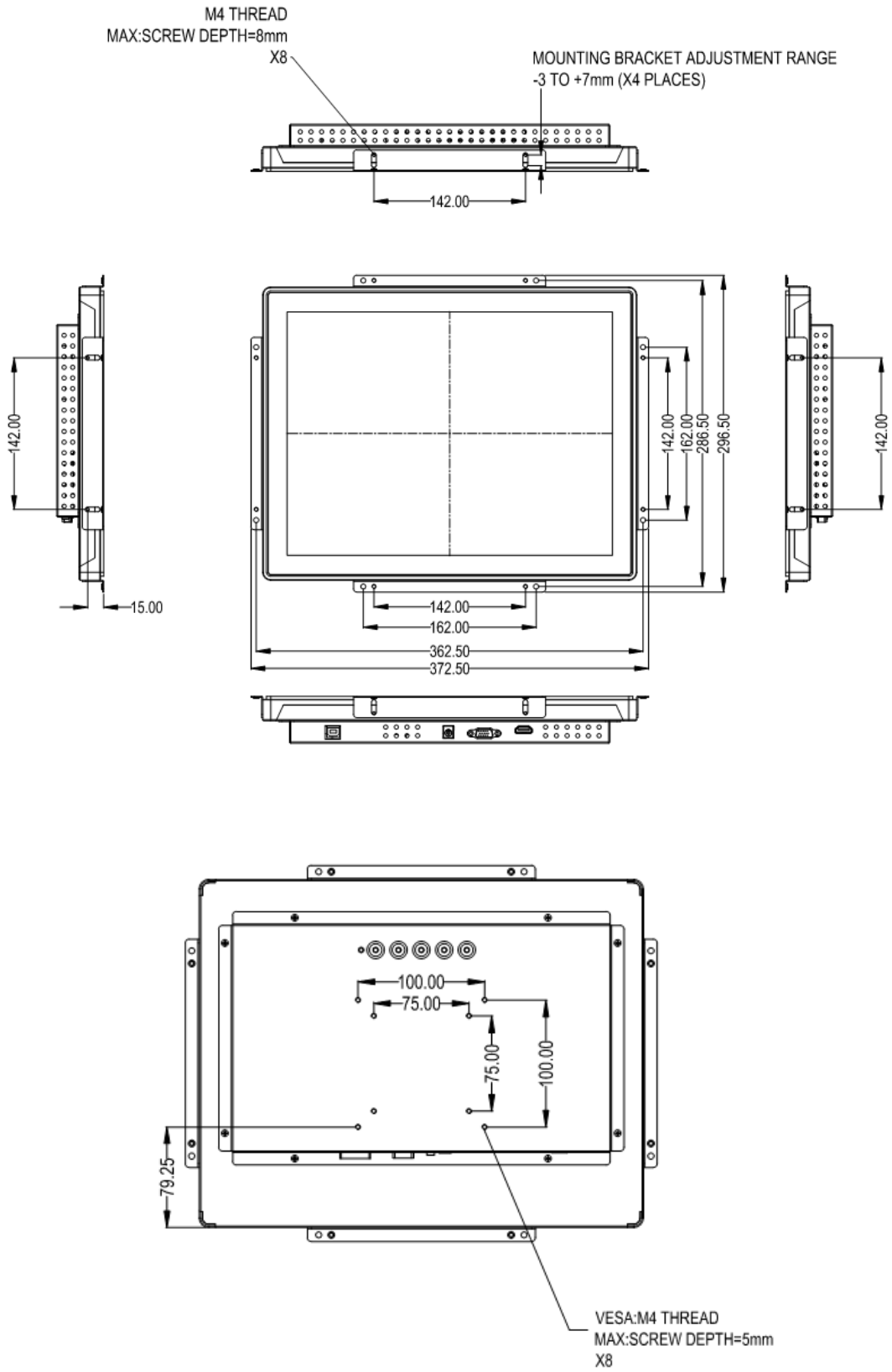
- ATM
- Tickets machine
- Vending machine
- Information terminal
- Gaming machine



Product Name		15 inch LCD Touch Monitor		
Product Model		H1512P-UH		
LCD panel Technical Parameter	Size	15inch		
	Aspect Ratio	4 : 3		
	Backlight Type	LED Backlight		
	Pixel Pitch	0.297mm x 0.297mm		
	Active Area	304.128mm x 228.096mm		
	Best Resolution	1024 × 768 @ 60Hz		
	Response Time	35ms		
	Color	16.7 million		
	Brightness	LCD Panel: 300 cd/m ²		
	Contrast Ratio	1500:1 (standard Values)		
	Viewing Angle (CR > 10)	Horizontal: 178° (89°/89°) Vertical: 178° (89°/89°)		
	Video Input Format	RGB Analog Signal/ Digital Signal		
	Video Input Interface	VGA / HDMI		
	Input Frequency	Horizontal: 30~82Hz Vertical: 50~75Hz		
	Power Consumption	≤15W		
Touch Screen Technical Parameter	Touch Screen Type	Capacitive Touch Screen		
	Cover Glass	2.4mm		
	Transparency	87%		
	Hardness	7H		
	Interface	USB2.0		
	Touch Point	10		
	Response Time	≤15 ms		
	Touch Method	Finger / Capacitive Pen		
	Touch Lifespan	≥50,000,000		
	Linearity	< 2%		
	Single-point OS	Windows XP , Linux		
	Multi-point OS	Windows7/8/10 , Android		
	Touch Monitor Technical Parameter	Boundary Dimension	350.5mm × 274.5mm × 43.9mm	
OSD Panel		Optional Accessory : Power switch、 Menu、 Up、 Auto、 Down		
Power Supply		Input : DC 12V±5%		
Power Consumption		Max : 20w; Sleep : 2w; Off : 1w		
Installation		Side Mounting Bracket , VESA 75mm&100mm		
Accessory (Optional)		Signal Line	VGA , HDMI , 1.5m/1.8m , male to male	
		USB Wire	A male to B male , 1.8m	
		Adaptor	WT1203000 , 12V/3.0A , 115mmx47mmx31mm , Length 1.0m , ϕ 2.5 , Black	
		Power Line	CCC Power Line, 1.5m , Black	
Temperature		Operating: 0°C-40°C ; Storage: -20°C-60°C		
Humidity		Operating: 20%-80%; Storage: 10%-90%		
Operation Altitude		< 3000m		
Warranty		3 Years(touch screen and LCD panel 1 year)		

 Product drawing







15" P-cap Touch Monitor

